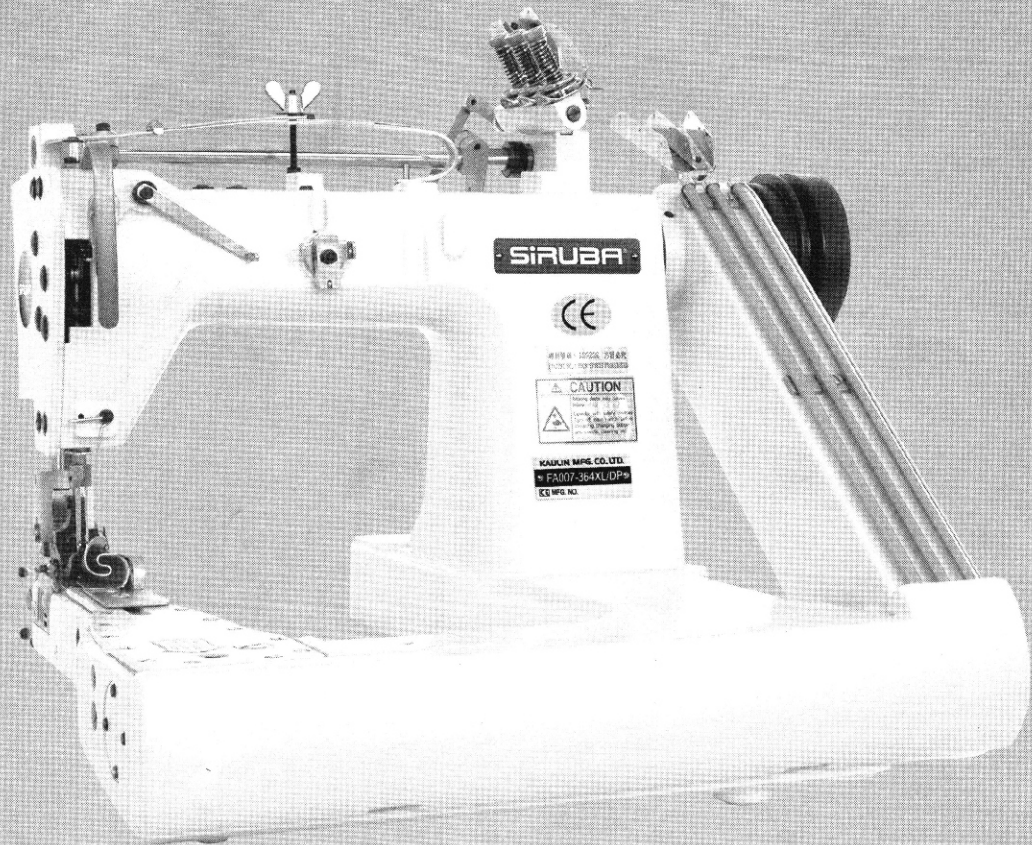


# SIRUBA®

銀箭牌工業用縫紉機  
INDUSTRIAL SEWING MACHINE

# FA007

## 使用說明與零件圖 INSTRUCTION AND PARTS LIST



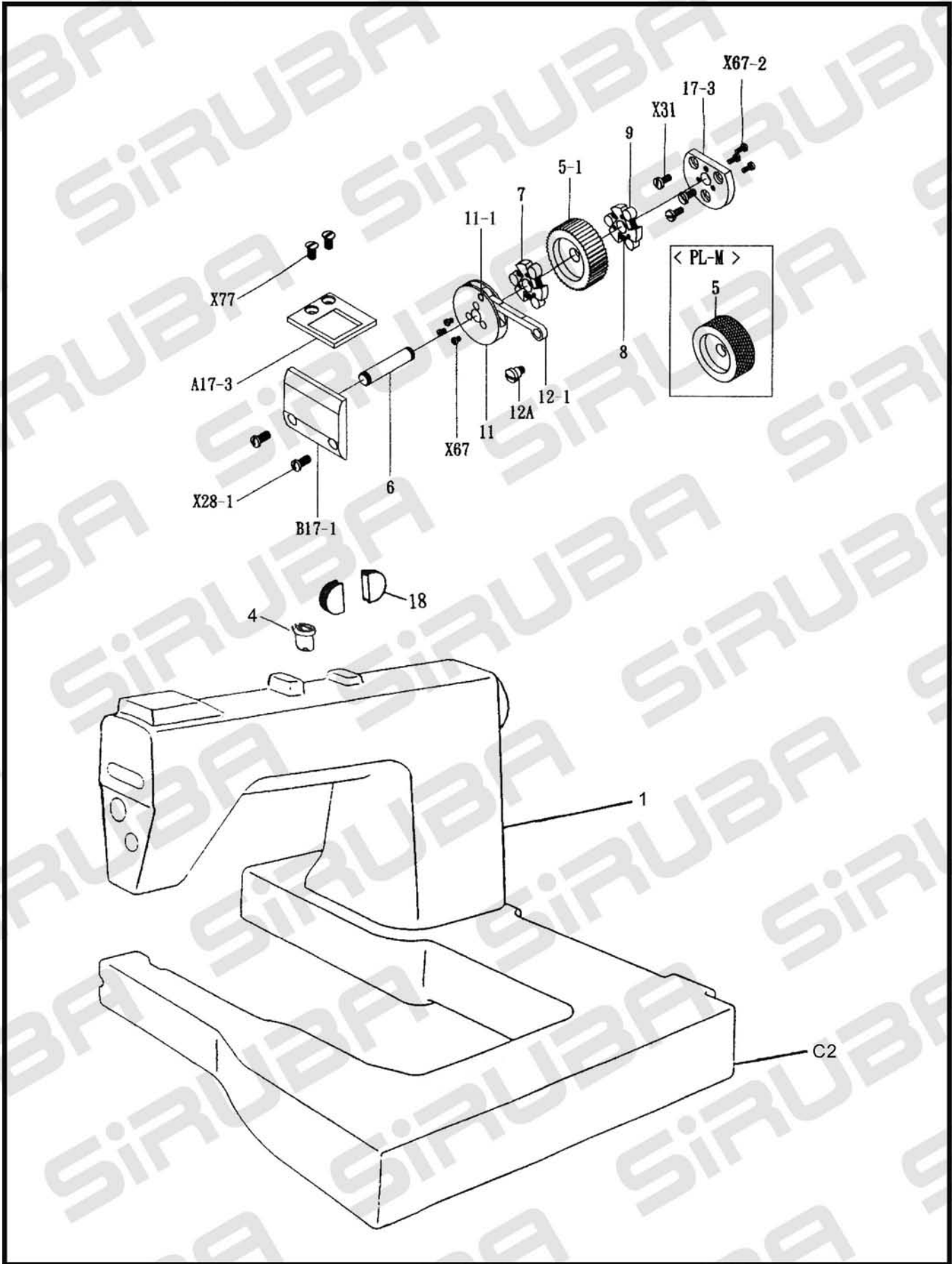
CE



高林股份有限公司  
KAULIN MFG. CO., LTD.

# CONTENTS 目錄

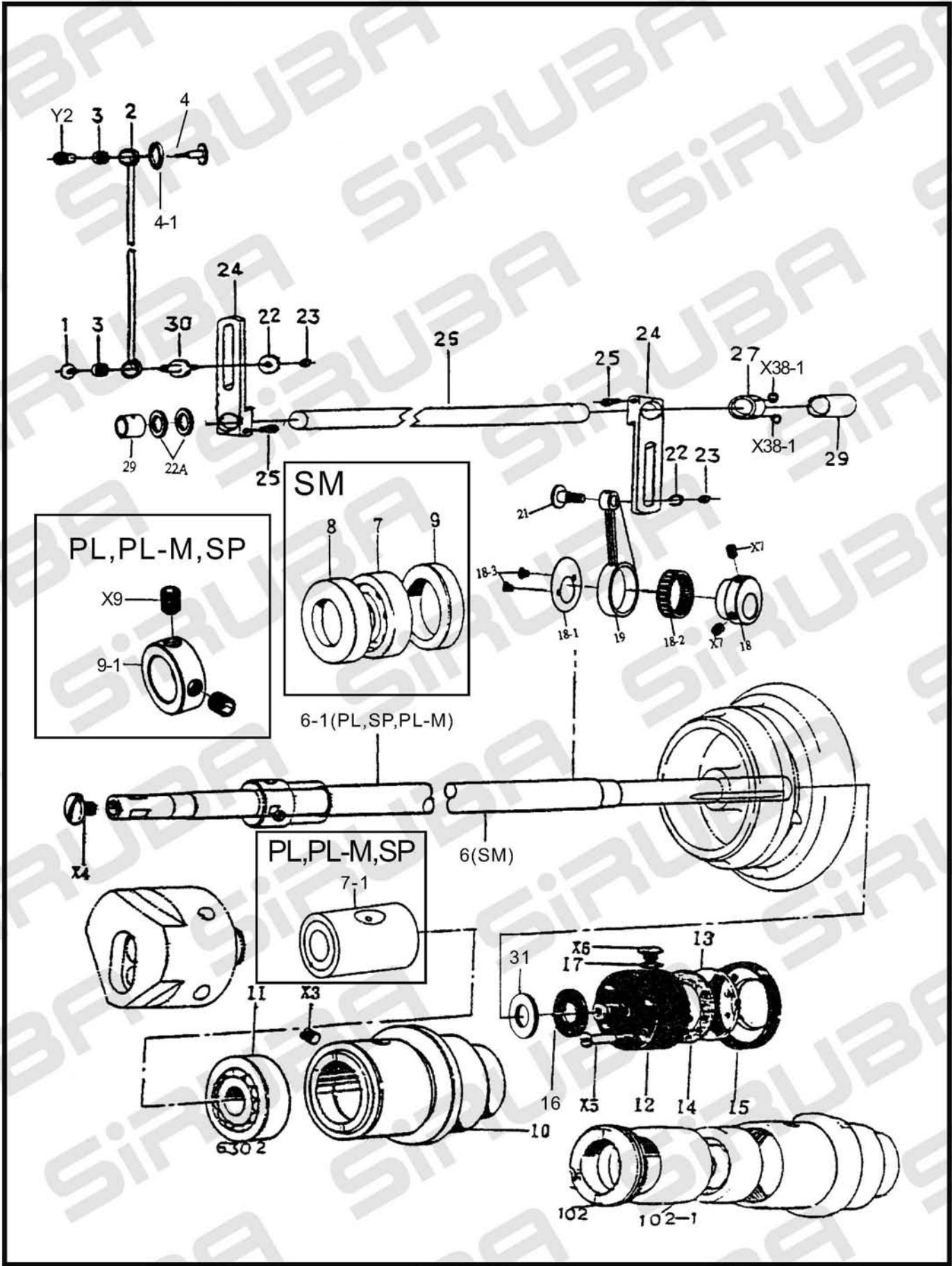
|  |    |
|--|----|
| CO-MACHINE BODY.....                         | 1  |
| 機體下拉布輪                                       |    |
| C1-UPPER SHAFT MACHANISM.....                | 3  |
| 上軸結構   |    |
| C2-NEEDLE BAR MECHANISM-FEED MECHANISM ..... | 5  |
| 針柱與送布傳動結構                                    |    |
| C3-PULLY MECHANISM.....                      | 7  |
| 皮帶傳動結構                                       |    |
| C4- PRESSER BAR MECHANISM.....               | 9  |
| 壓腳柱結構  |    |
| C5-LOOPER MECHANISM.....                     | 11 |
| 彎針傳動結構                                       |    |
| C6-UPPER THREADING MECHANISM.....            | 13 |
| 上導線張力結構                                      |    |
| C7-LOWER THREADING MECHANISM.....            | 15 |
| 下導線張力結構                                      |    |
| C8-LOWER SHAFT MECHANISM-GAUGE PARTS.....    | 17 |
| 下軸結構與針位組                                     |    |
| C9-GAUGE PARTS(SP) SP.....                   | 19 |
| 針位組  |    |
| C10-GAUGE PARTS (DP) DP.....                 | 21 |
| 針位組  |    |
| C11-PULLER DEVICE MECHANISM DP、SP.....       | 23 |
| 上拉布輪結構                                       |    |
| C12-ACCESSORIES.....                         | 25 |
| 配件   |    |



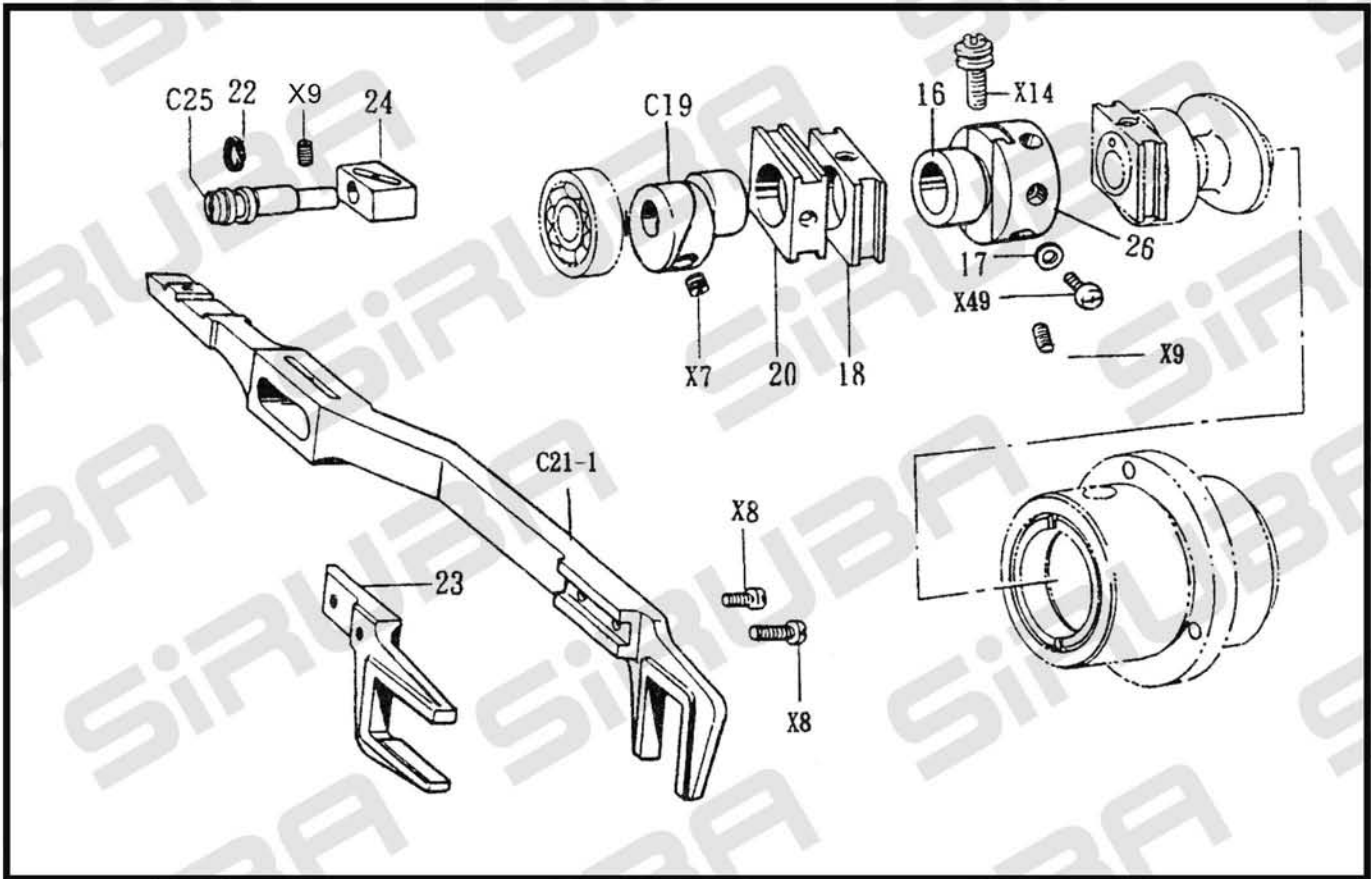
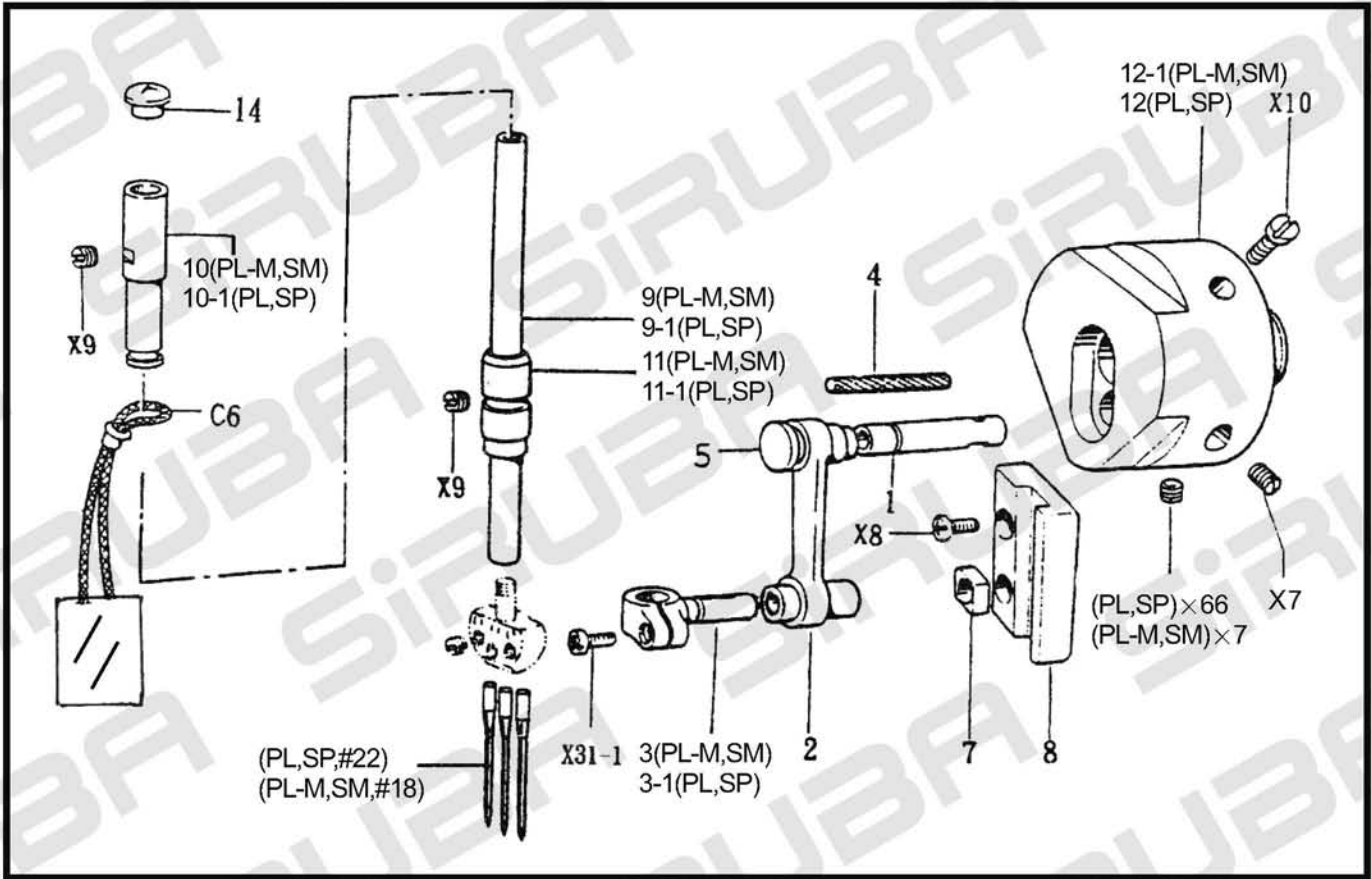






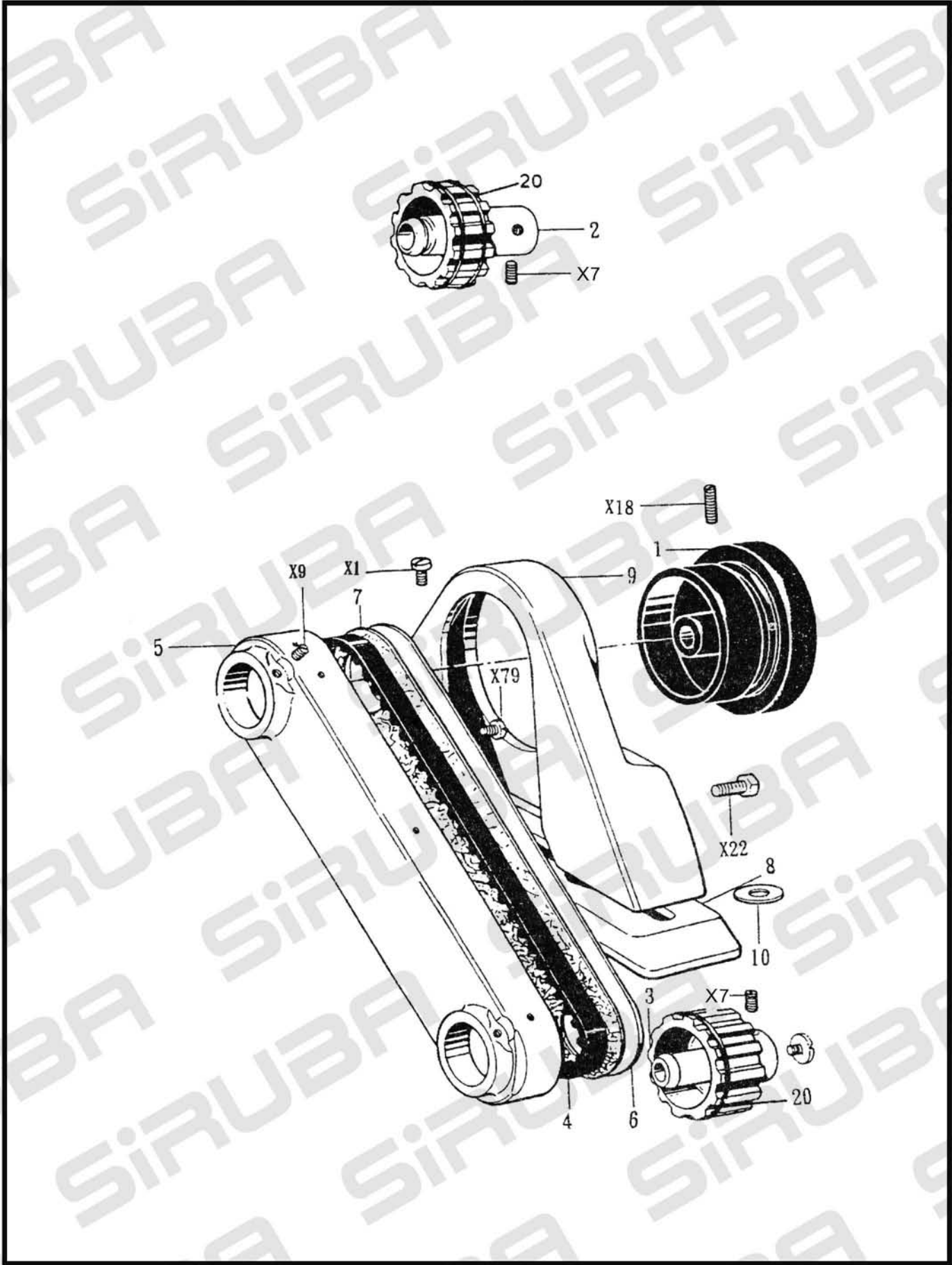






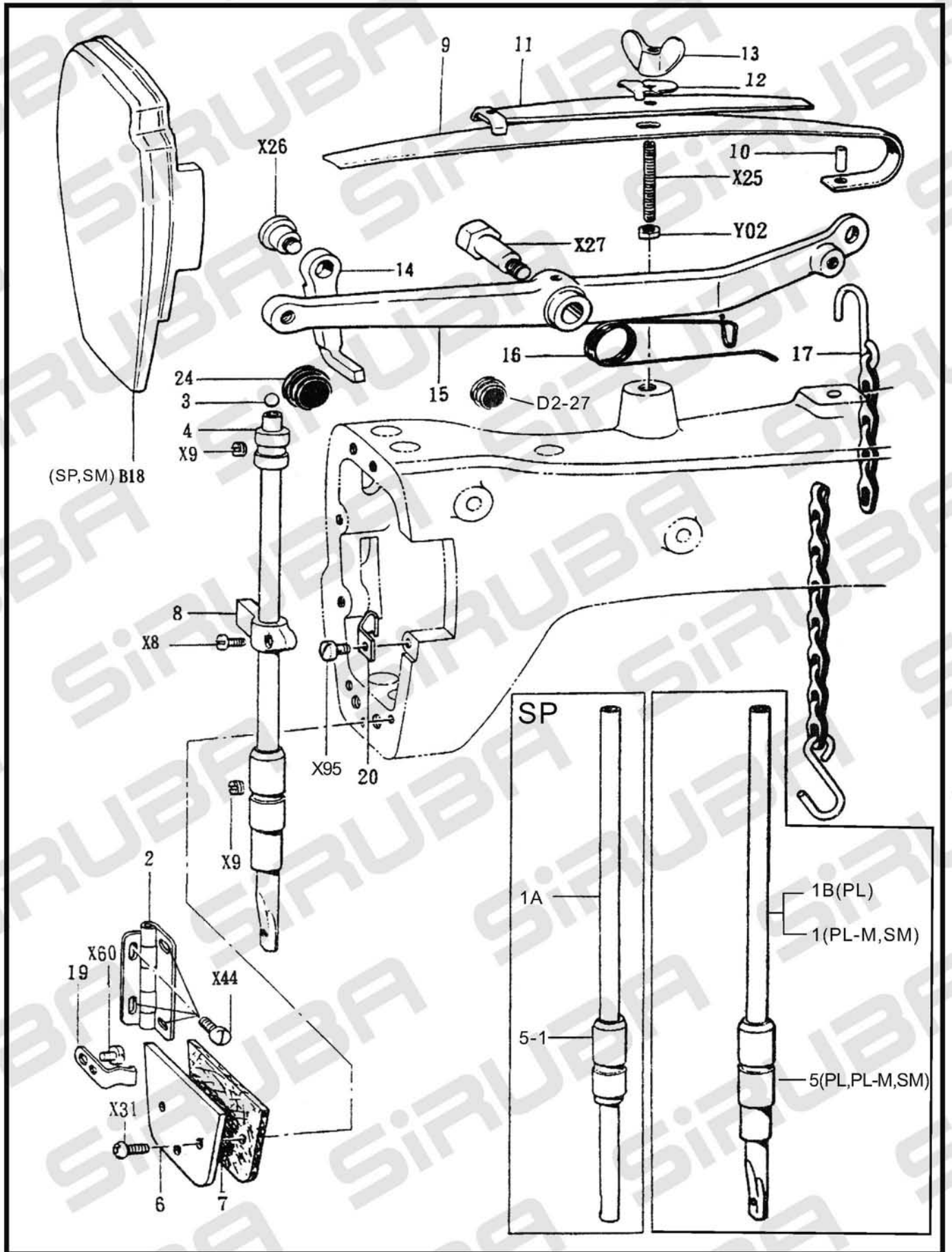




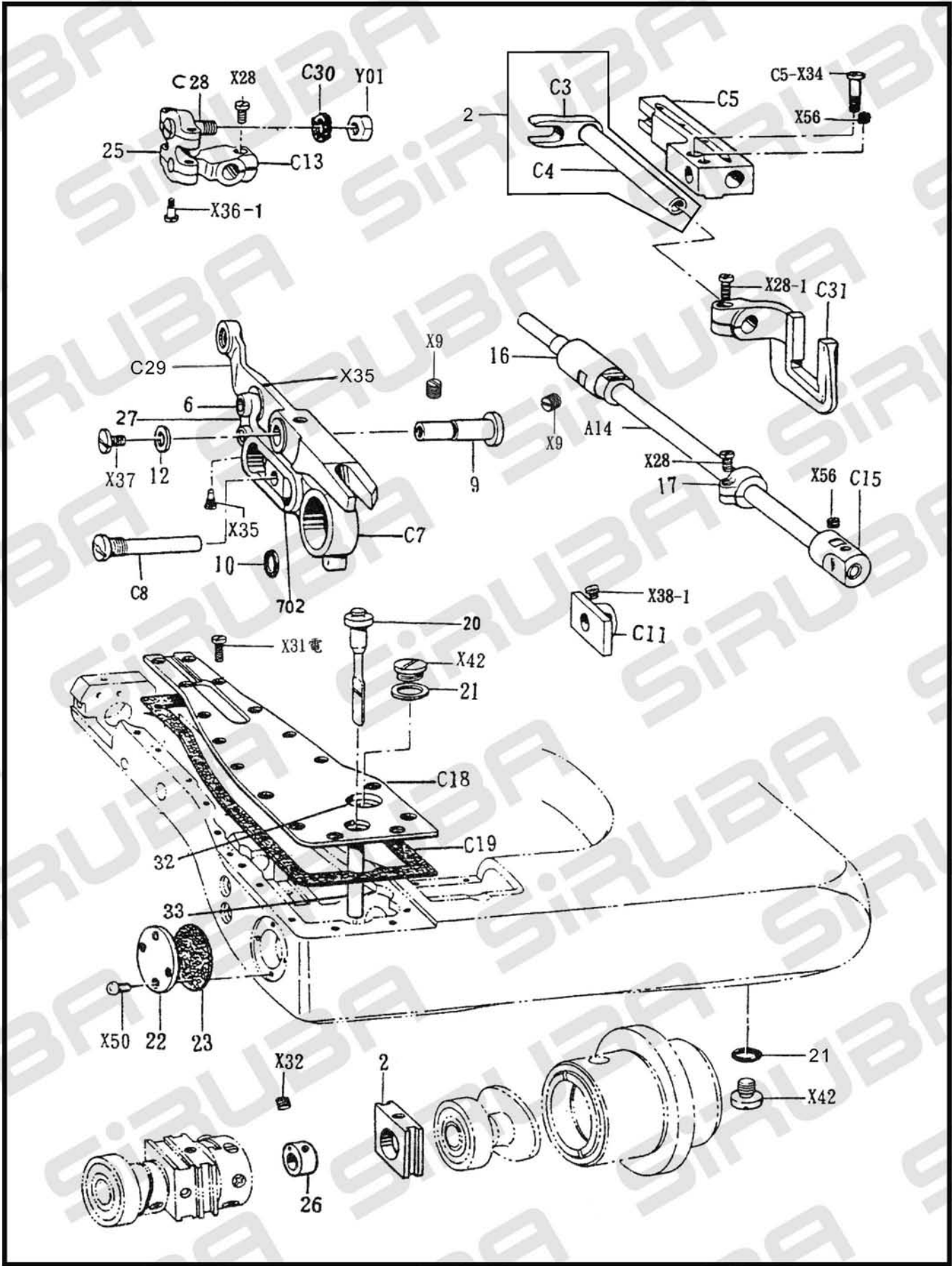






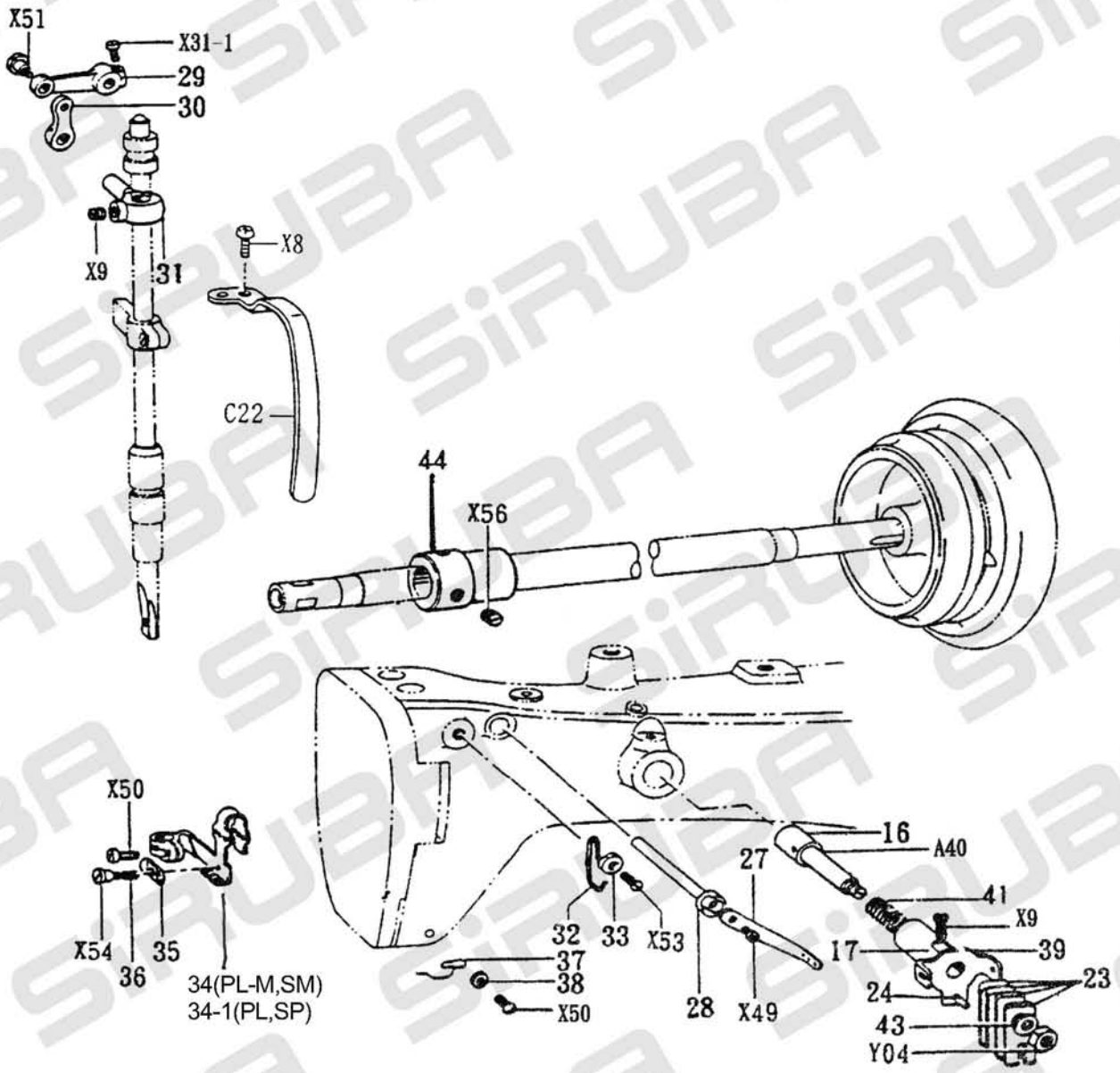
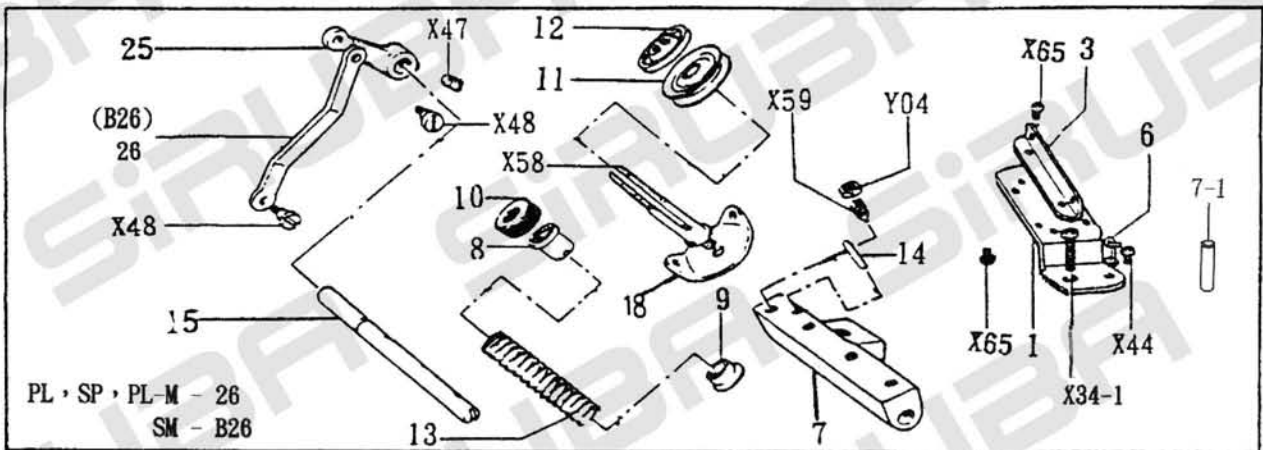






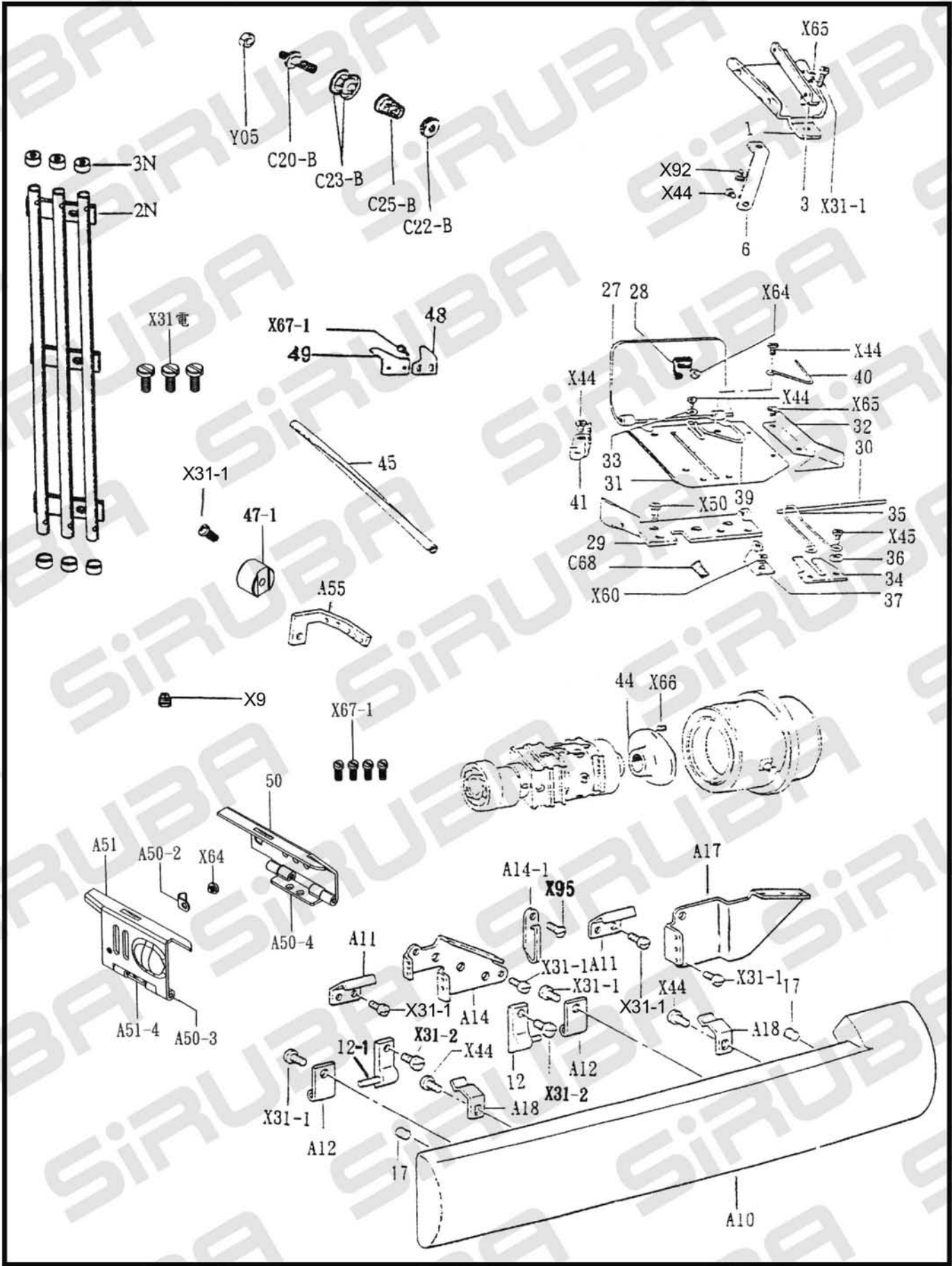




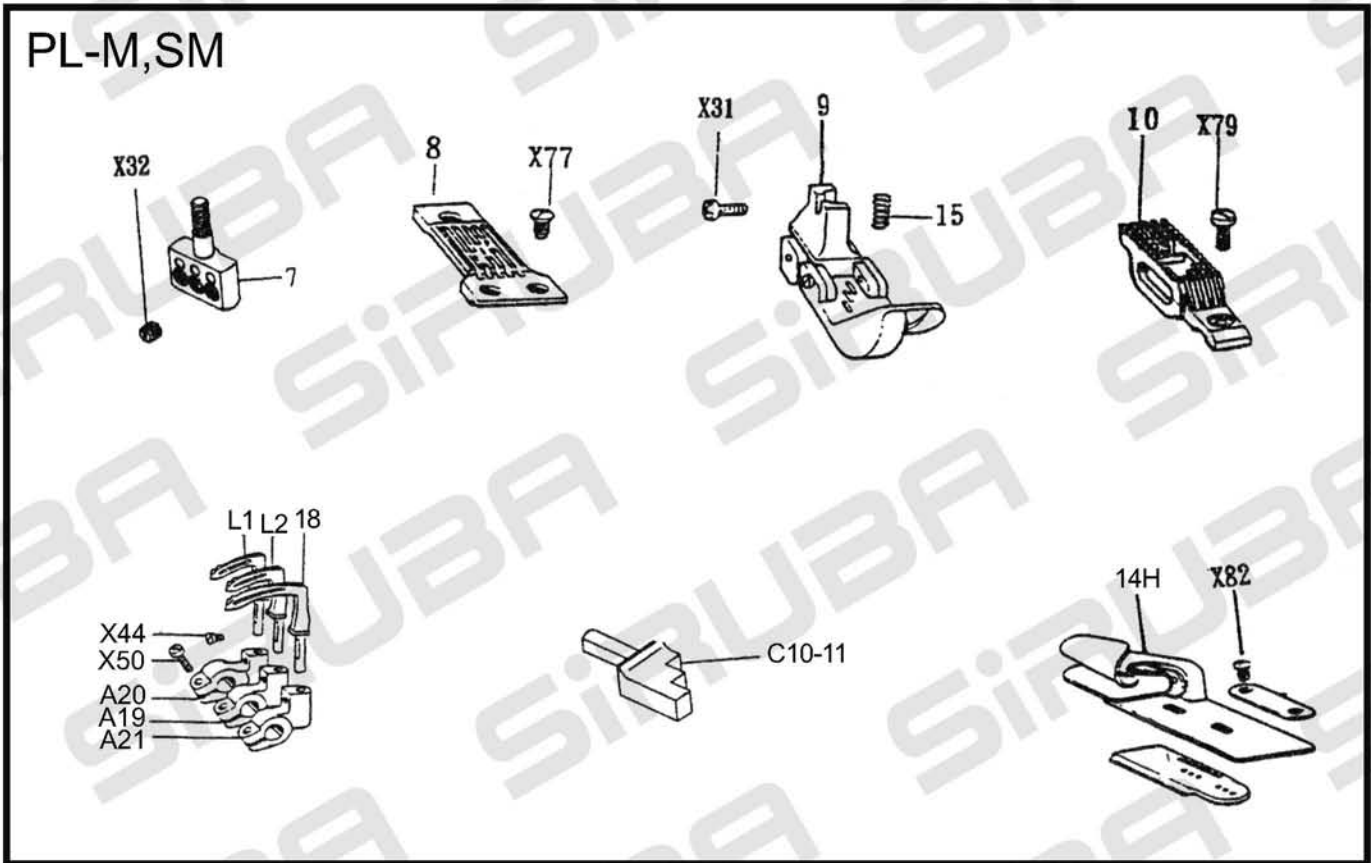
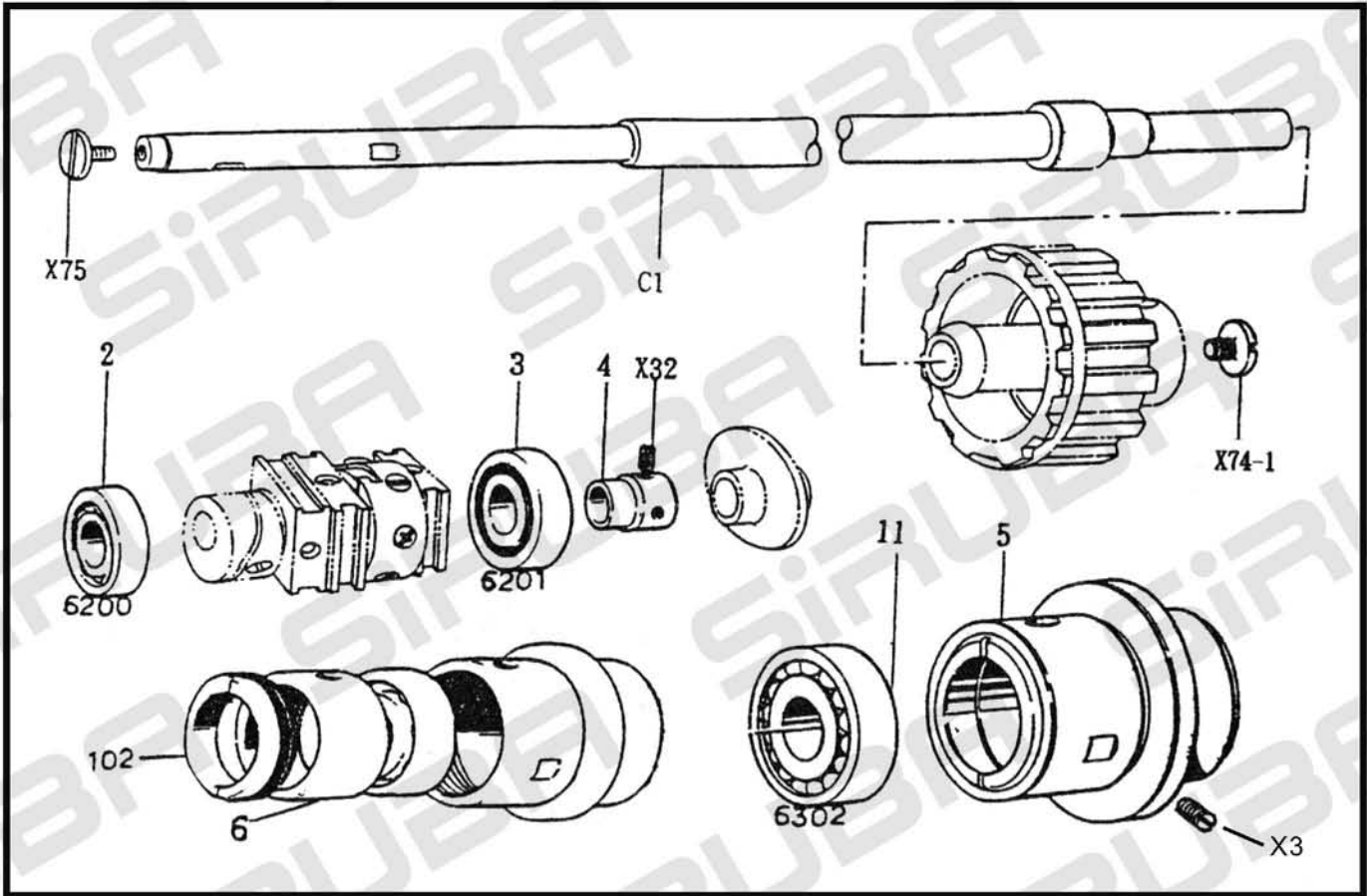








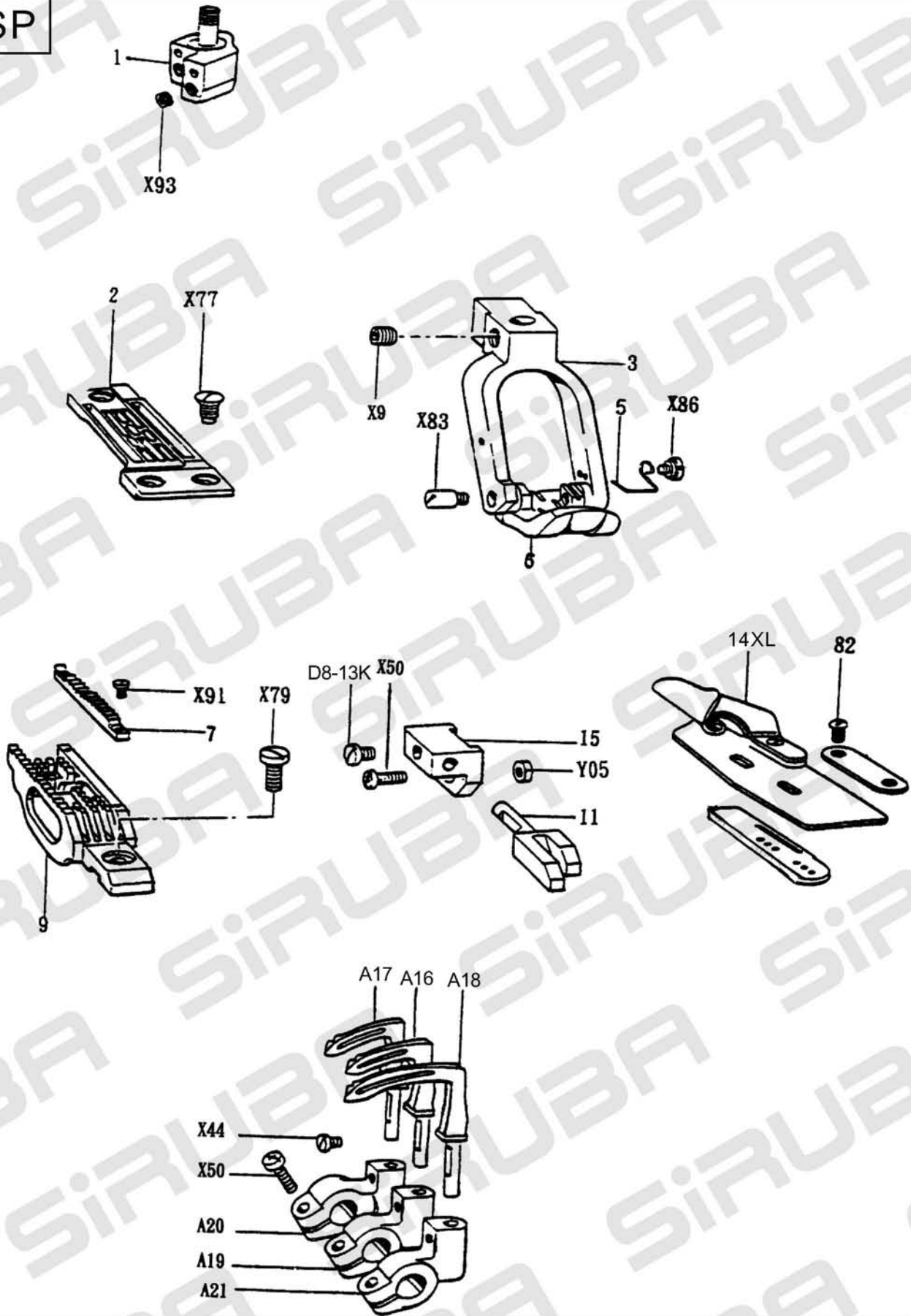






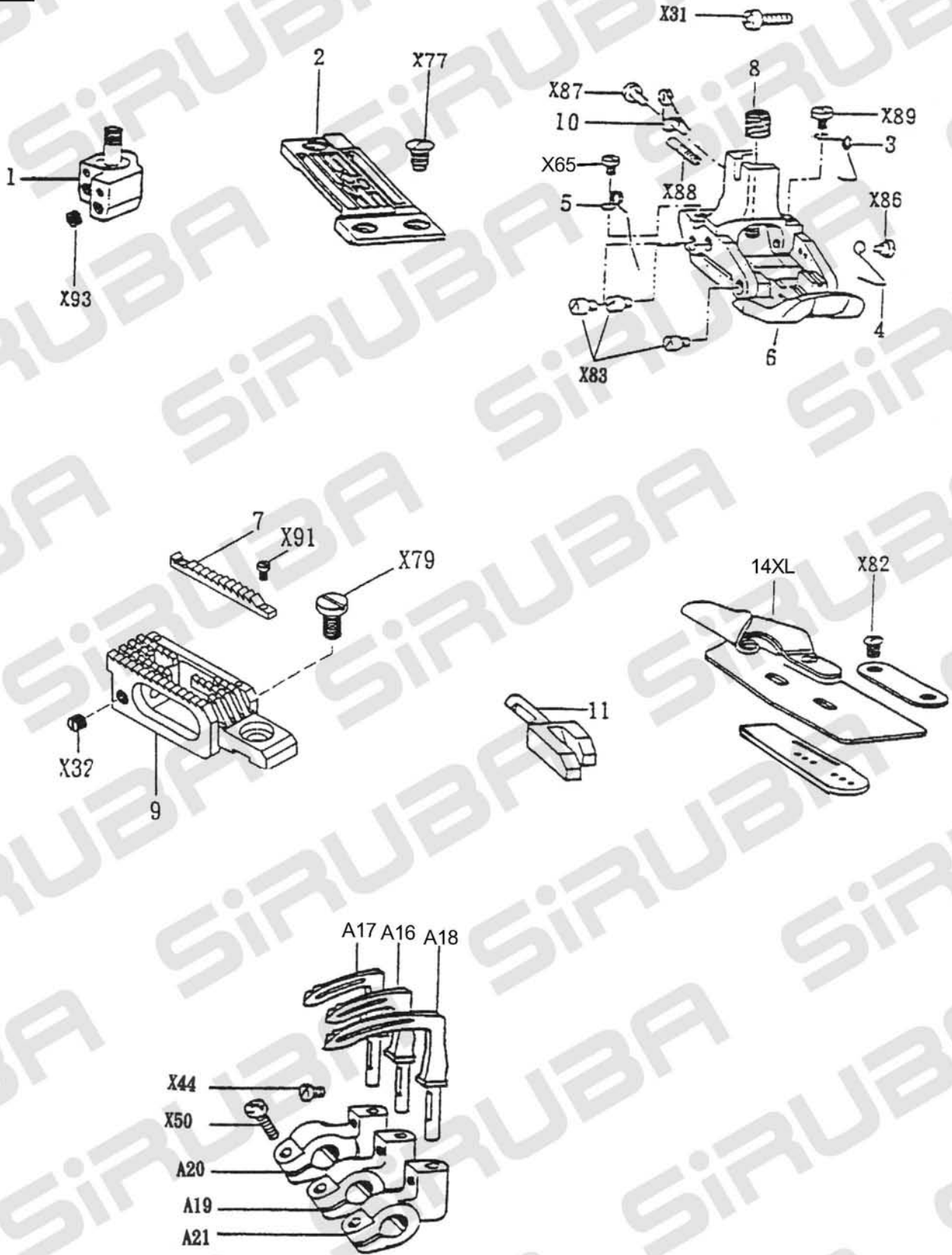


SP





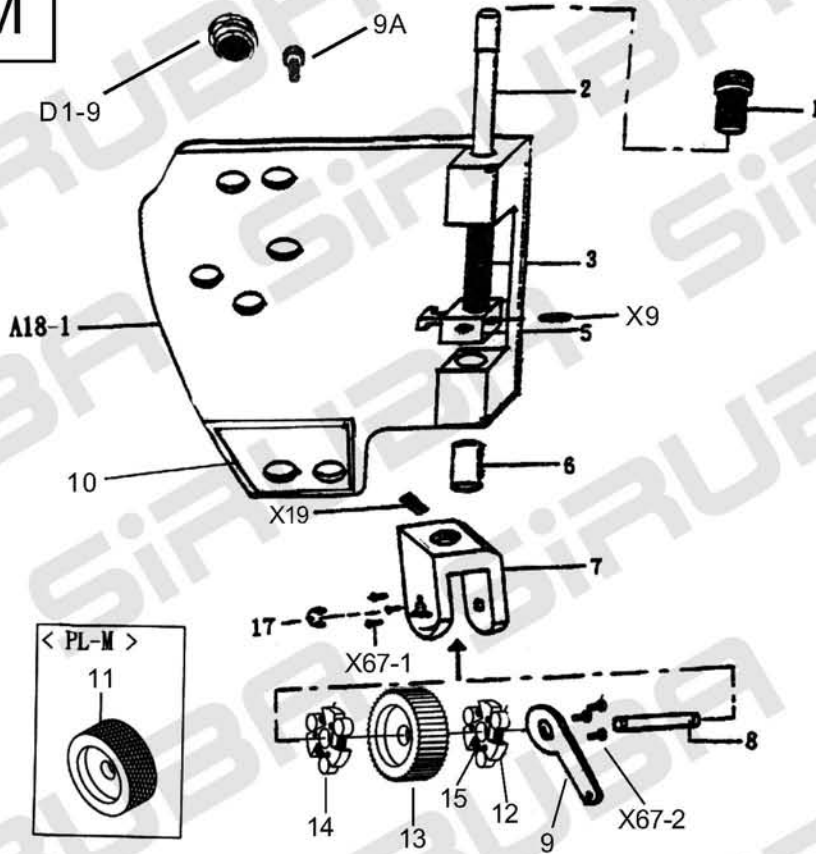
PL







# PL, PL-M



# SP

